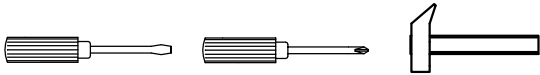
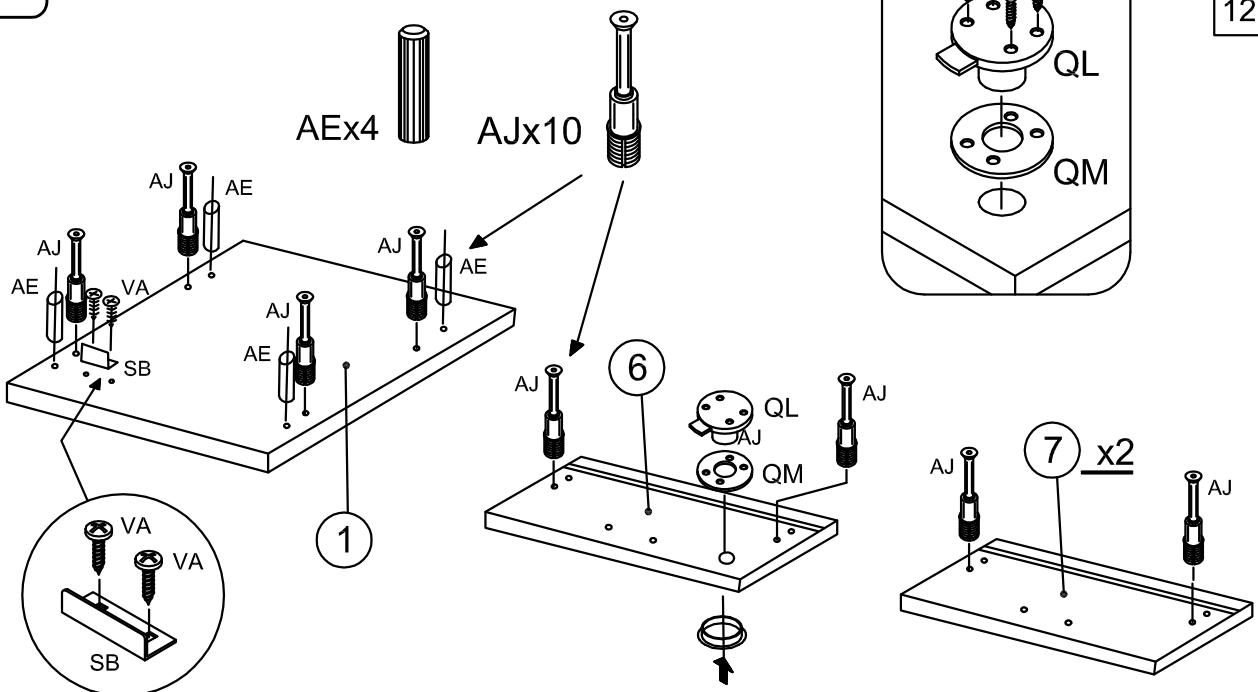


UTENSILI NECESSARI – OUTILS NECESSAIRES
TOOLS NEEDED



AE 20 	AJ 16 	AM 16 	LG 3 	NA 6 	QL 1 	QM 1 	RA 4 	RT 4 	RL 4
SB 1 	WA 4 	WE 1 	VA 2 	VJ 12 	VZ 4 	GC-R 3+3 	GC-L 	GDR 3+3 	GDL

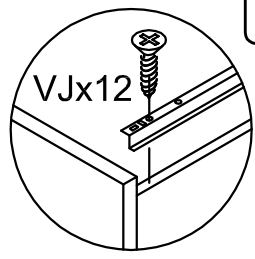
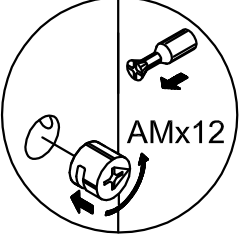
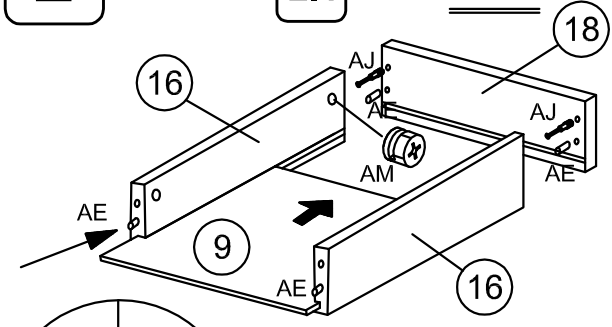
1



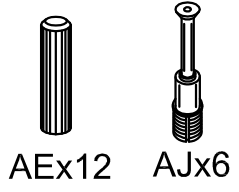
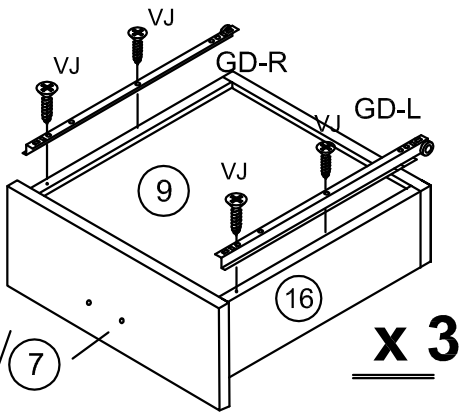
2

2.1

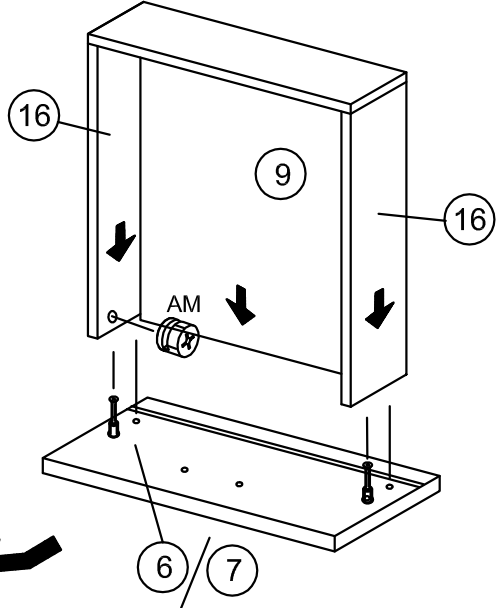
x 3



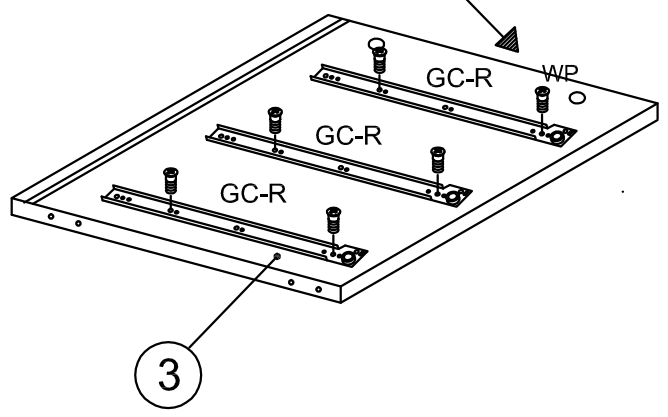
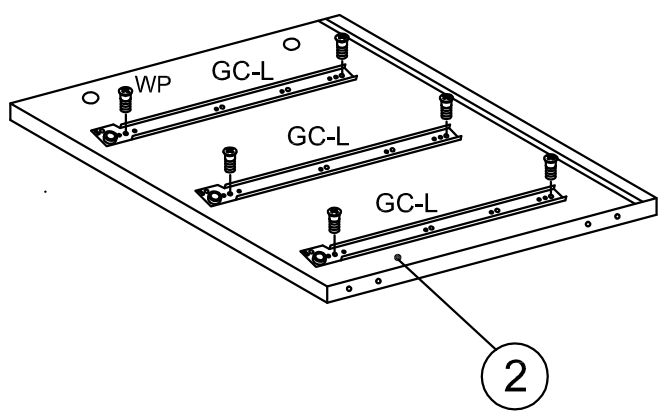
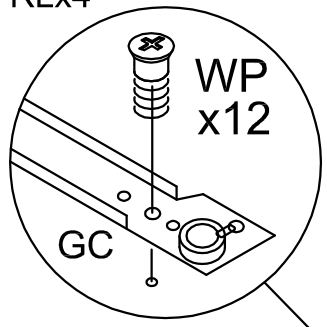
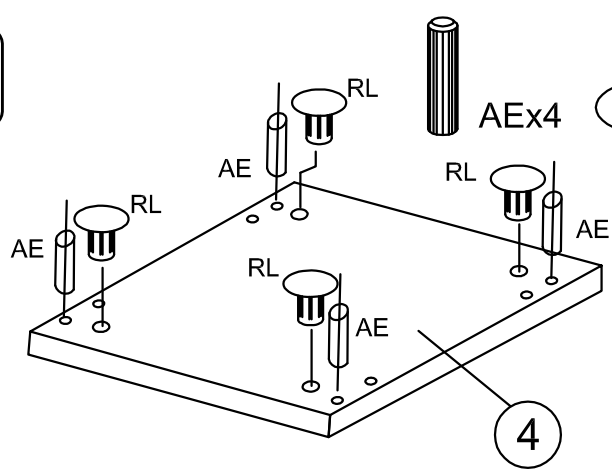
2.3



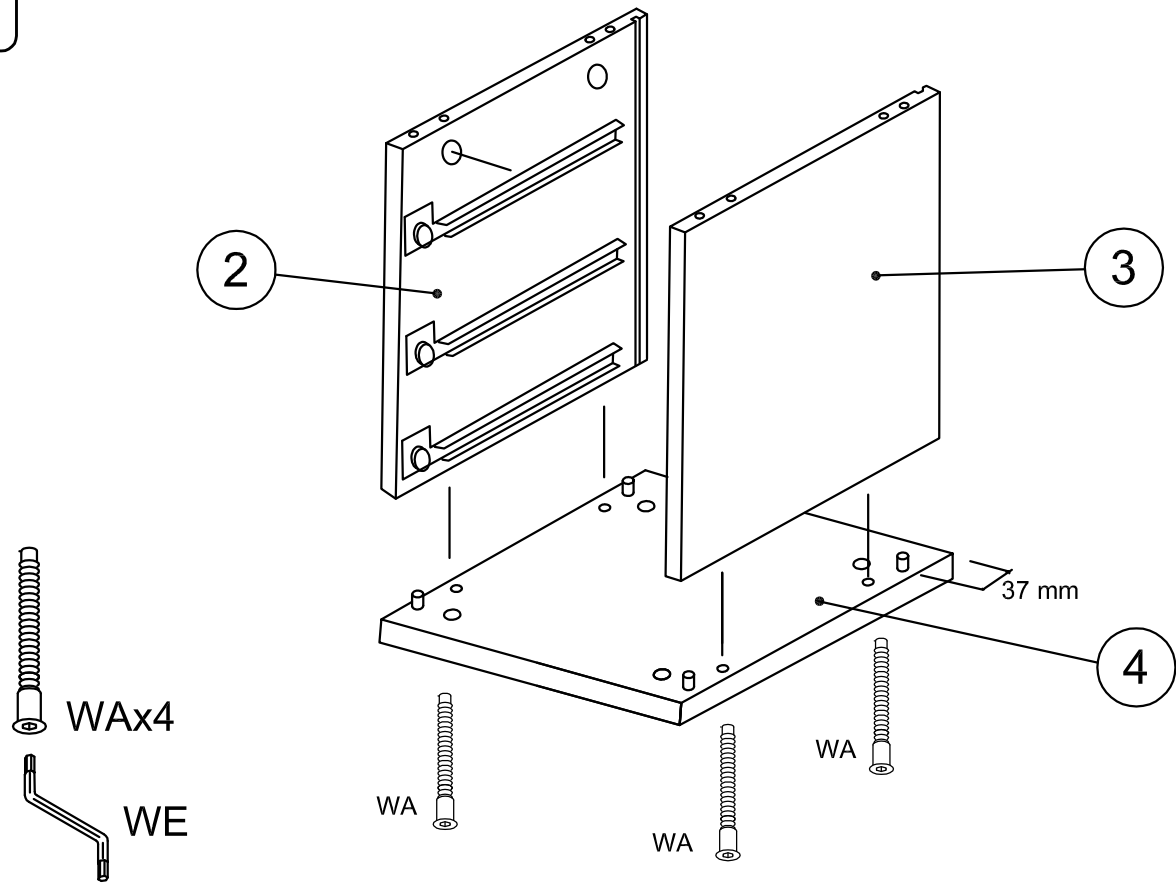
2.2



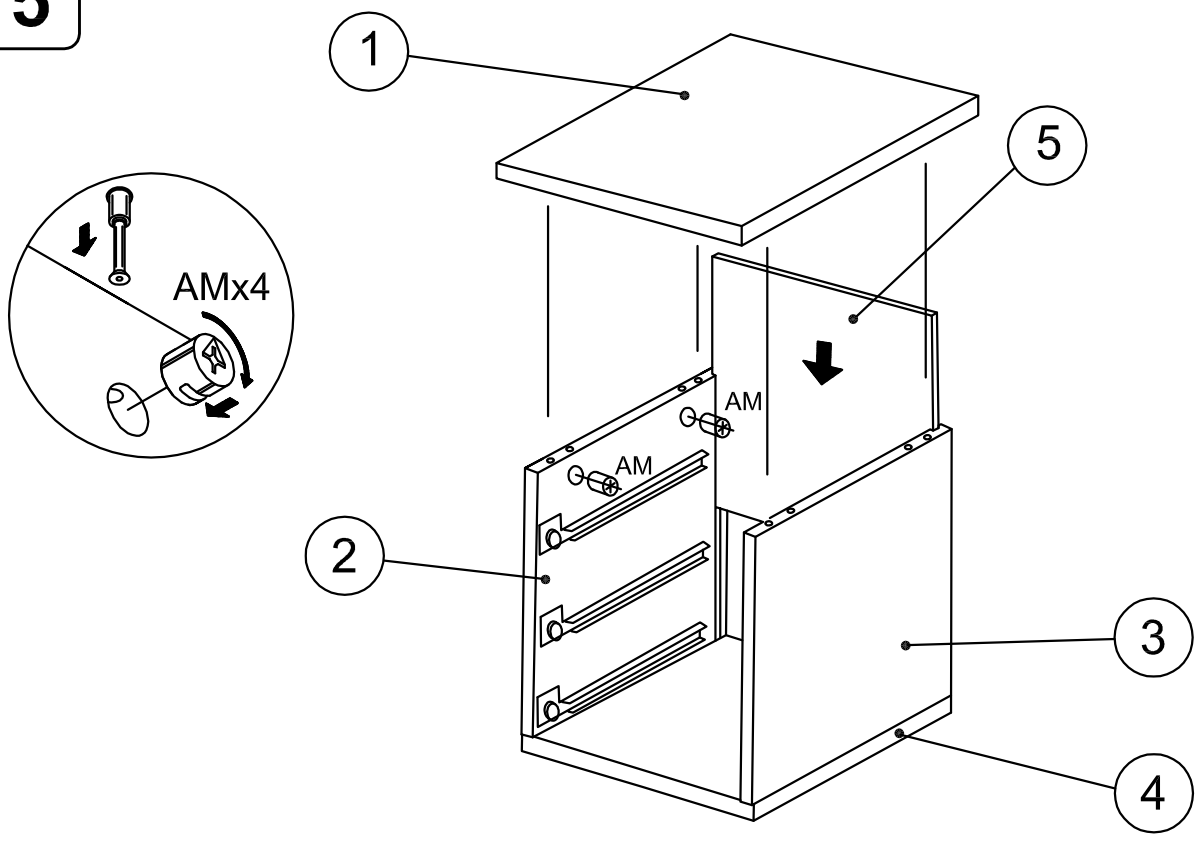
3



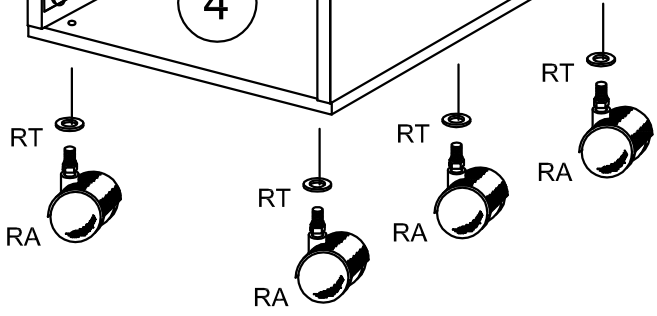
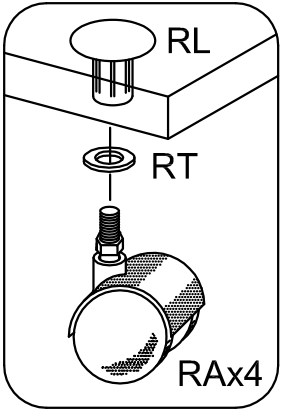
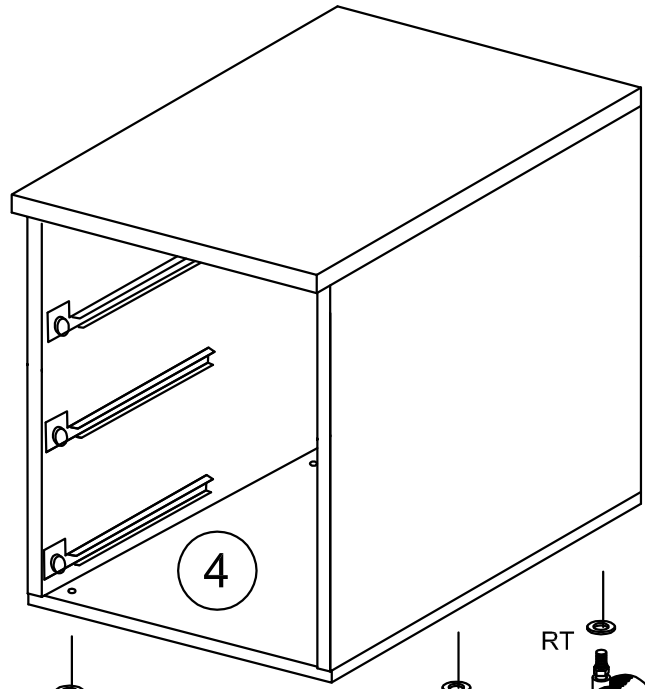
4



5



6



7

